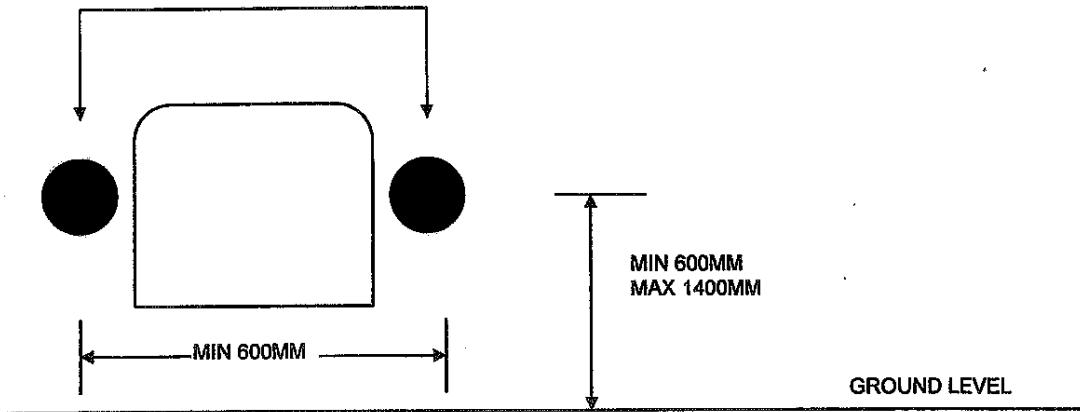


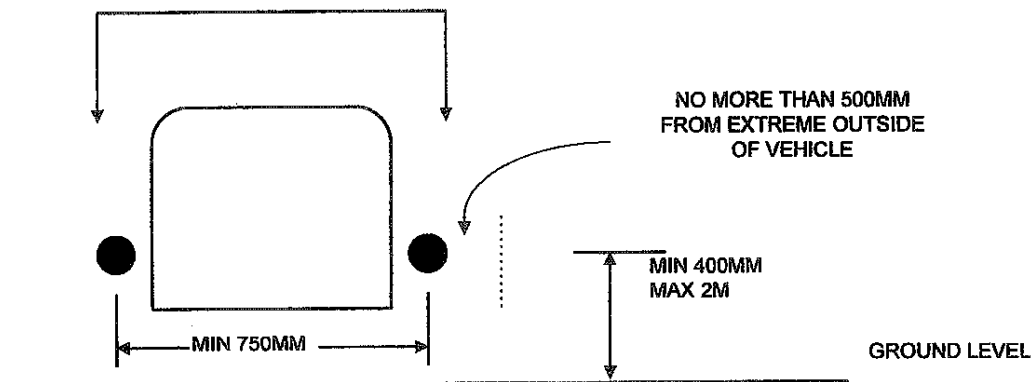
### HEADLIGHT POSITION

CENTRES EQUIDISTANT TO  
CENTRE OF VEHICLE



### BLINKER POSITION

SAME POSITION EACH SIDE OF  
VEHICLE



### FRONT PARKING LIGHT POSITION

CENTRES EQUIDISTANT TO  
CENTRE OF VEHICLE

