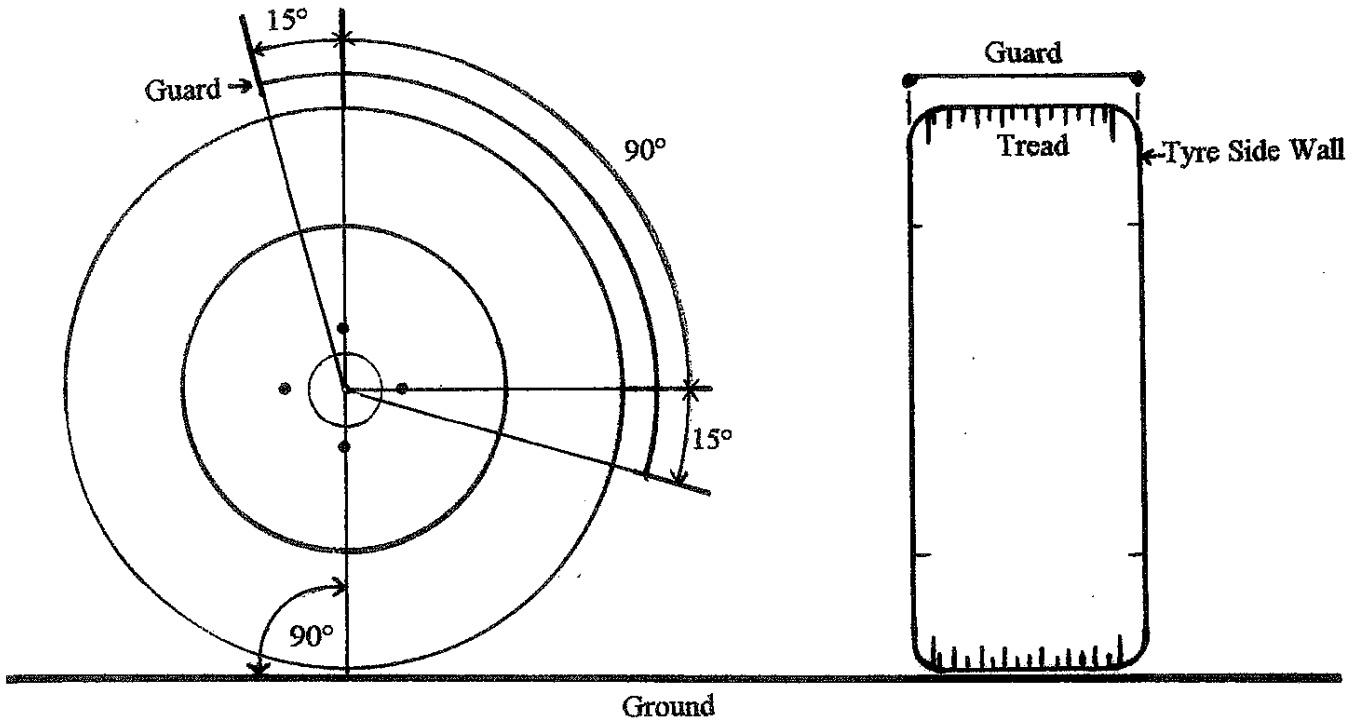


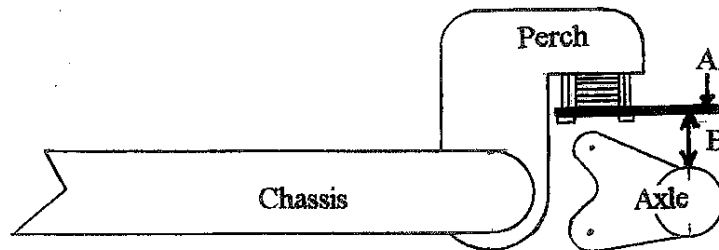
CYCLE GUARDS

Minimum coverage allowed.



FRONT AXLE POSITIVE LIMITING DEVICE

(Typical T Bucket Application)



A) Limiting Device

Made from heavy plate
secured by 'U' bolts
on front perch.

B) Gap to be less than the lowest
point on the chassis to the ground
(usually the engine sump or tubular mount)
and extend past axle centre.