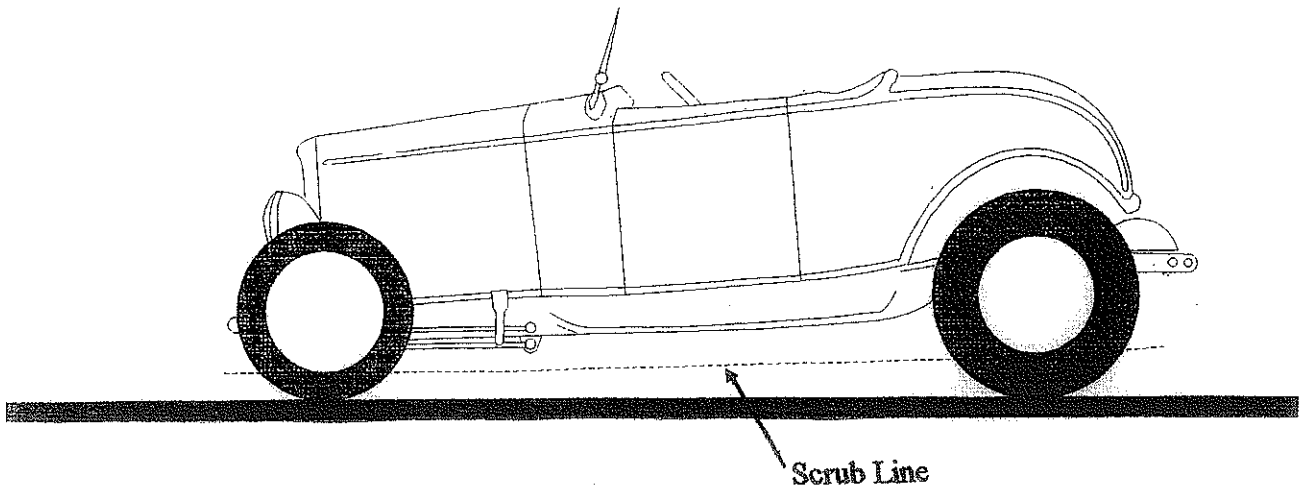


GROUND CLEARANCE

No part of any vehicle except its tyres, wheels and wheel hubs should be lower than a 100mm from the ground (ground clearance) or lower than the bottom edge of the rim line (scrub line) which ever is the greater.



Scrub Radius

