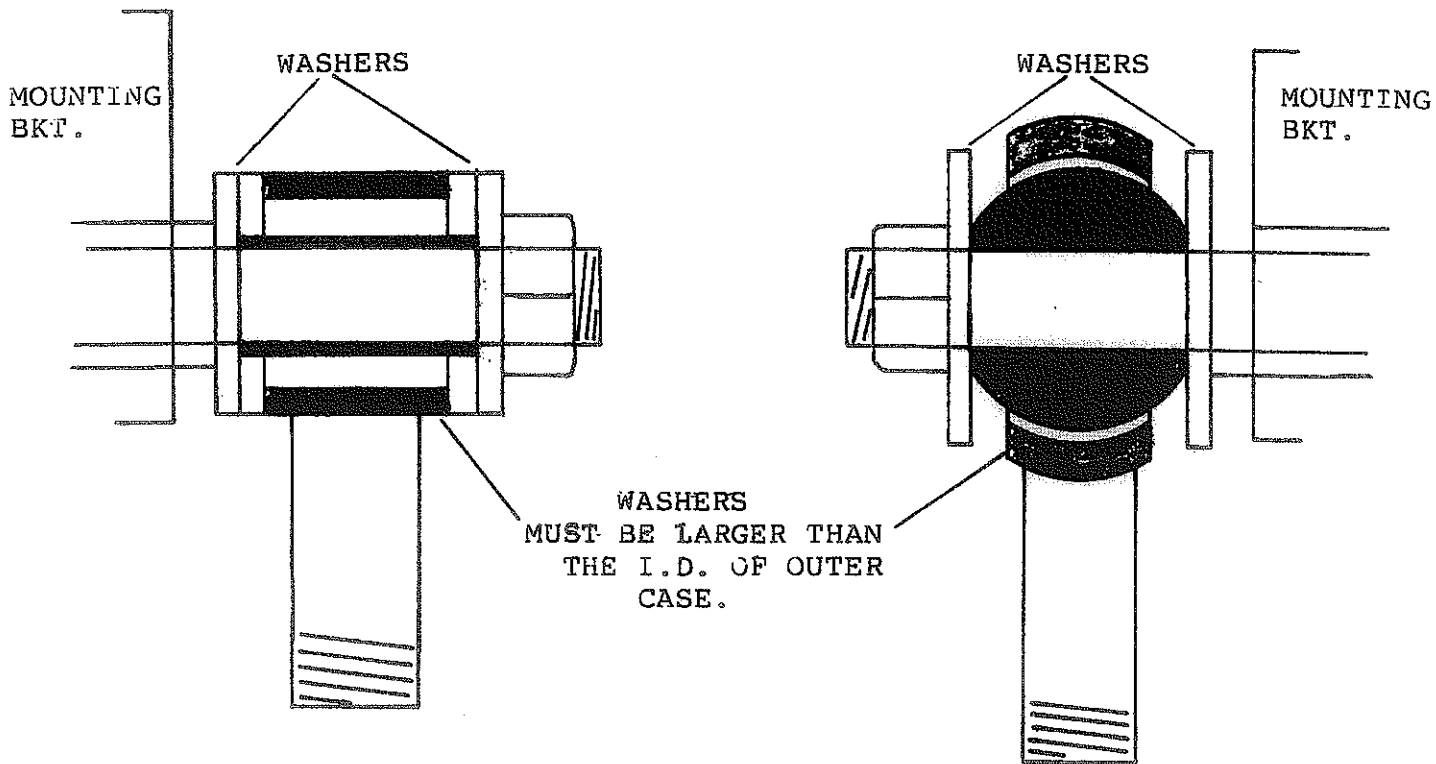


URETHANE BUSHED

END

HEIM TYPE

END



Wheel Bearing Offset

