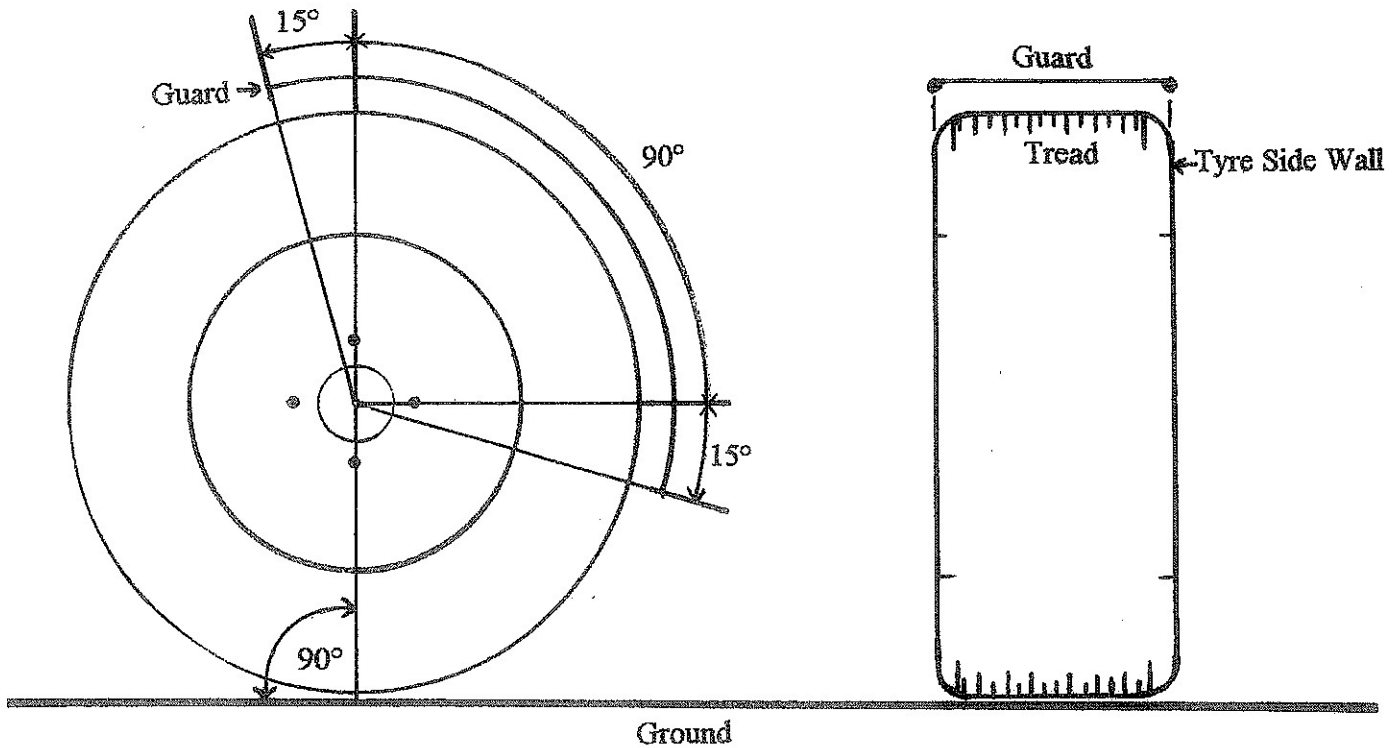


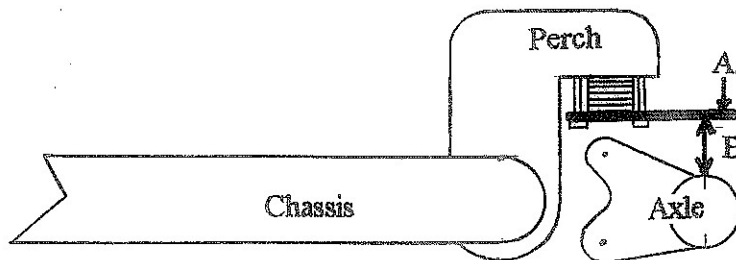
# CYCLE GUARDS

Minimum coverage allowed.



## FRONT AXLE POSITIVE LIMITING DEVICE

(Typical T Bucket Application)



A) Limiting Device  
Made from heavy plate  
secured by 'U' bolts  
on front perch.

B) Gap to be less than the lowest  
point on the chassis to the ground  
(usually the engine sump or tubular mount)  
and extend past axle centre.